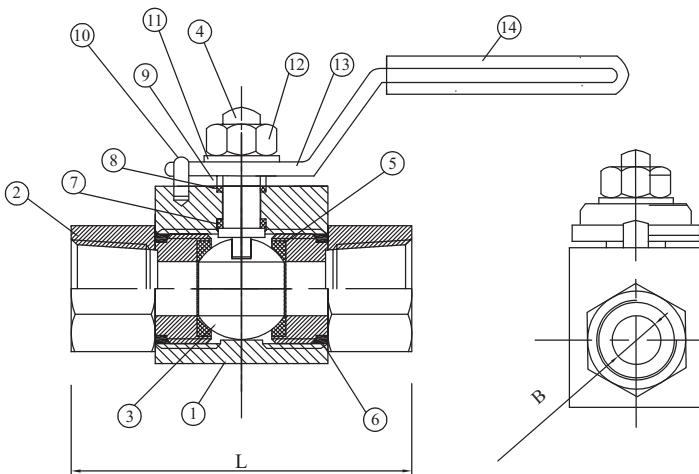
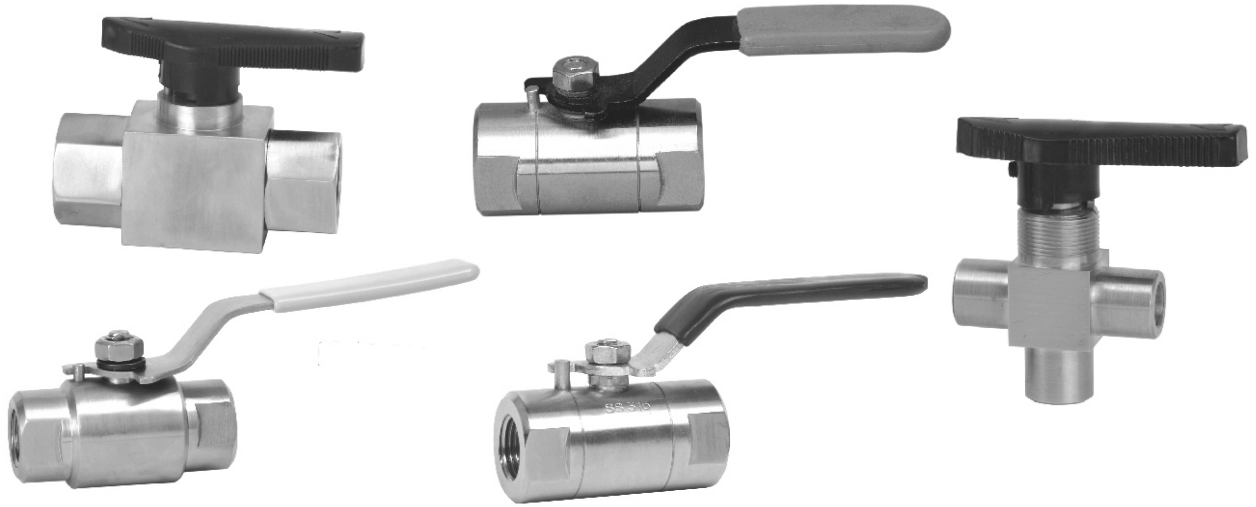


BV4

Instrumentation Ball Valve one piece ball stem ensures alignment of stem and orifice it reduce potential leak points does not require system pressure to seal is easily cleaned and purged available in square and round Body



MATERIAL OF CONSTRUCTION

Sr.No	DESCRIPTION	MATL.	QTY.
1	BODY	SS 316	1
2	CONNECTIONS	SS 316	2
3	BALL	SS 316	1
4	STEM	SS 316	1
5	SEATS	DELTRIN/PEEK	2
6	JOINT SEAL	VITON	2
7	GLAND SEALS	P.T.F.E.	1
8	BACK UP SEAL	P.T.F.E.	1
9	RETAINER	SS 304	1
10	STOP PIN	SS 304	1
11	WASHER	CS PLATED	1
12	STEM NUT	CS PLATED	1
13	HANDLE	CS PLATED/SS	1
14	SLEEVE	P.V.C.	1

Material of Construction

- C = Carbon Steel
- S = SS 316 (std)
- S4 = SS 304
- SL = SS 316L
- M4 = Monel 400
- M5 = Monel 500
- H = Hastelloy C

Optional : BV 10 - High pressure Ball valves for 10,000 psi pressure

NOTE:

* Dimensions Are For Reference Only. Subject To Change.

INLET	OUTLET	TPR.6000PSI		TPR.10000PSI	
		L	B	L	B
1/4"NPT(F)	1/4"NPT(F)	58	6.4	65	6.4
3/8"NPT(F)	3/8"NPT(F)	60	8.5	68	8.5
1/2"NPT(F)	1/2"NPT(F)	75	11.5	80	11.5
3/4"NPT(F)	3/4"NPT(F)	80	19	85	19
1"NPT(F)	1"NPT(F)	87	25	95	25
1 1/4"NPT(F)	1 1/4"NPT(F)	112	32	125	32
1 1/2"NPT(F)	1 1/2"NPT(F)	120	38	135	38
2"NPT(F)	2"NPT(F)	130	50	150	50

VM - BV4 - 01 - 2009 / 10