

Needle Valves with compression ends designed for use on general applications requiring complete isolation and throttling of media offered with Waaree designed twin ferrules and nuts are available in imperial and metric sizes (See Tube Fitting catalogue No. FIT/04/06). Specially designed conical metal tip press fitted ensures perfect alignment for positive bubble tight shut-off. Available with tube end connections in sizes from 6 mm to 12 mm and 1/4" to 1/2" tube or one end screwed to male or female.

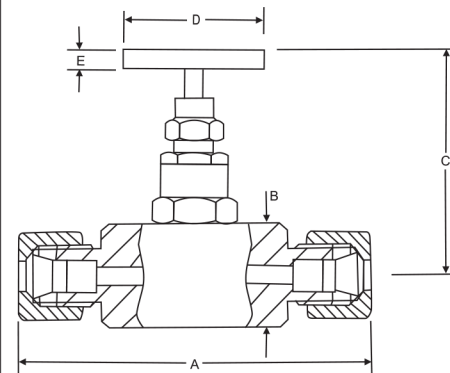
## Technical specifications

<b>Design Pressure</b>	: 6000 PSI
<b>Max temp.</b>	: 240°C
<b>Material</b>	: Stainless Steel
<b>Stem</b>	: (CT) Conical tip press fitted hard chrome plated.
<b>Gland Packing</b>	: PTFE
<b>Stem packing area</b>	: Burnished finish for smooth valve operation.
<b>Safety Feature</b>	: Back seating for preventing stem blowout.

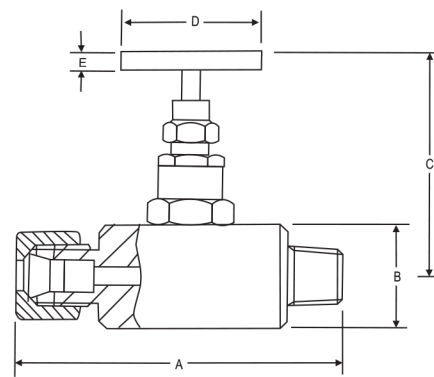


Type (TT)	Length A	Width B	Height (open) Max., C	Handle D	Handle OD E
6M x 6M	65	25	63	40	10
8M x 8M	65	25	63	40	10
10M x 10M	65	25	63	40	10
12M x 12M	65	32	83.6	50	12
Type (TF)					
1/4" OD x 1/4" NPTF	65	25	63	40	10
3/8" OD x 3/8" NPTF	65	25	63	40	10
1/2" OD x 1/2" NPTF	65	32	83.6	50	12
Type (TM)					
1/4" OD or 6M x 1/4" NPTM	65	25	63	40	10
8m x 1/4" NPTM	65	25	63	40	10
3/8" OD or 10M x 3/8" NPTM	65	25	63	40	10
1/2" OD or 12M x 1/2" NPTM	72	32	83.6	50	12

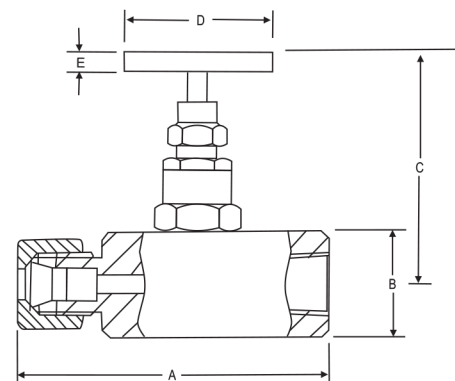
All dimensions are in mm.



Type TT



Type TM



Type TF

## Applications

- Instrument isolation
- Media throttling
- Liquid and vapor service.

Note : Other combination sizes available on request. Please contact us for more details.